

# LIVIN THE DOG LIFE™

## DOG PARK PRODUCTS & DESIGNS

LIVIN THE DOG LIFE™  
 3815 RIVER CROSSING PKWY SUITE 100  
 INDIANAPOLIS, IN 46240  
 PHONE: (800) 931-1562  
 FAX: (800) 931-6152  
 www.livinthedoglife.com

SELECT DESIRED COLOR:

- BLACK
- GREEN
- BROWN
- YELLOW
- RED

### STANDARD FEATURES:

- EXCLUSIVE PRODUCT TO GYMS FOR DOGS™ AND LIVIN THE DOG LIFE™.
- ARCHITECTURAL PET WASTE BAG DISPENSER/ALUMINUM BAG DISPENSER (MADE IN U.S.A.).
- TOP SHELF HOLDS KEYS, CELL PHONES & LEASHES.
- HEAVY-DUTY ONE PIECE ALUMINUM MOUNTING POST.
- POWDER-COATED PROPRIETARY ALL-WEATHER ALUMINUM.
- BAG DISPENSER WITH "BONE" DISPENSER HOLE.
- 600 BAG CAPACITY - UNIVERSAL TO MOST BRANDS OF BAGS.
- CAN BE CUSTOMIZED WITH YOUR BRAND OR SPECIAL LOGO.

### PRODUCT DIMENSIONS:

**DIMENSIONS:** H: 51" X W: 6" X L: 15"

### RECOMMENDED SPECIFICATIONS:

#### ALUMINUM BAG DISPENSER:

- H: 10" X W: 4" X L: 10.5"
- 600 BAG CAPACITY

#### ALUMINUM BAG DISPENSER TOP SHELF:

- W: 6" X L: 15"

#### ALUMINUM SURFACE MOUNTED BASE:

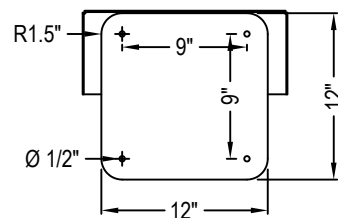
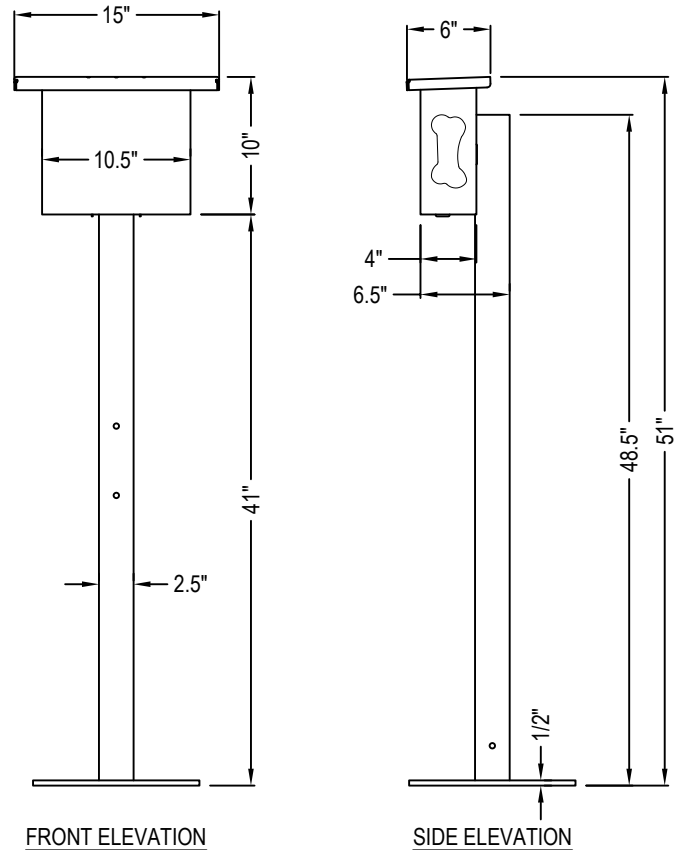
- W: 12" X L: 12"

#### ALUMINUM MOUNTING POST:

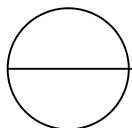
- H: 48.5" X W: 2.5" X L: 2.5"

### NOTES:

1. INSTALLATION TO BE COMPLETED IN ACCORDANCE WITH MANUFACTURER'S SPECIFICATIONS.
2. DO NOT SCALE DRAWING.
3. THIS DRAWING IS INTENDED FOR USE BY ARCHITECTS, ENGINEERS, CONTRACTORS, CONSULTANTS AND DESIGN PROFESSIONALS FOR PLANNING PURPOSES ONLY. THIS DRAWING MAY NOT BE USED FOR CONSTRUCTION.
4. ALL INFORMATION CONTAINED HEREIN WAS CURRENT AT THE TIME OF DEVELOPMENT BUT MUST BE REVIEWED AND APPROVED BY THE PRODUCT MANUFACTURER TO BE CONSIDERED ACCURATE.
5. CONTRACTOR'S NOTE: FOR PRODUCT AND COMPANY INFORMATION VISIT [www.CADdetails.com/info](http://www.CADdetails.com/info) AND ENTER REFERENCE NUMBER 5017-184.



BOTTOM VIEW  
 (SURFACE MOUNTED BASE)



## NATURAL DOG PARK - PET WASTE STATION

GYMS FOR DOGS™ - THE PET CADDY™ PET WASTE SURFACE MOUNT (SM) - WASTE BAG DISPENSER