

LIVIN THE DOG LIFE™

DOG PARK PRODUCTS & DESIGNS

LIVIN THE DOG LIFE™
 3815 RIVER CROSSING PKWY SUITE 100
 INDIANAPOLIS, IN 46240
 PHONE: (800) 931-1562
 FAX: (800) 931-6152
 www.livinthedoglife.com

SELECT DESIRED COLOR:

- BLACK
- GREEN
- BROWN
- YELLOW
- RED

STANDARD FEATURES:

- EXCLUSIVE PRODUCT TO GYMS FOR DOGS™ AND LIVIN THE DOG LIFE™.
- ARCHITECTURAL PET WASTE BAG DISPENSER/ALUMINUM BAG DISPENSER (MADE IN U.S.A.).
- TOP SHELF HOLDS KEYS, CELL PHONES & LEASHES.
- HEAVY-DUTY ONE PIECE ALUMINUM MOUNTING POST.
- POWDER-COATED PROPRIETARY ALL-WEATHER ALUMINUM.
- BAG DISPENSER WITH "BONE" DISPENSER HOLE.
- 600 BAG CAPACITY - UNIVERSAL TO MOST BRANDS OF BAGS.
- CAN BE CUSTOMIZED WITH YOUR BRAND OR SPECIAL LOGO.

PRODUCT DIMENSIONS:

DIMENSIONS: H: 51" X W: 6" X L: 15"

RECOMMENDED SPECIFICATIONS:

ALUMINUM BAG DISPENSER:

-H: 10" X W: 4" X L: 10.5"

-600 BAG CAPACITY

-BONE SHAPED BAG DISPENSER SLOT

ALUMINUM BAG DISPENSER TOP SHELF:

-W: 6" X L: 15"

ALUMINUM TRASH RECEPTACLE WITH LID:

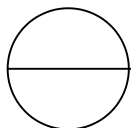
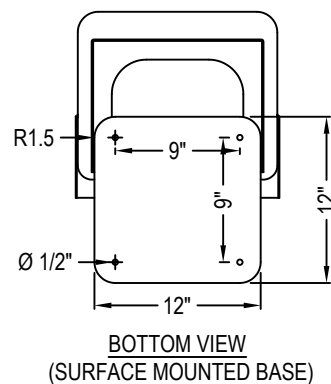
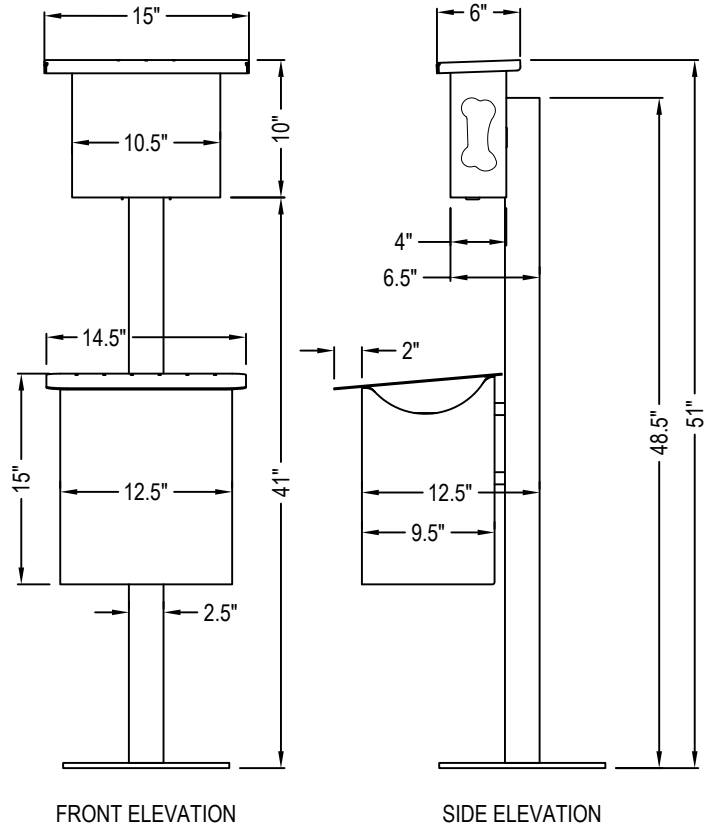
-H: 15" X W: 9.5" X L: 12.5"

ALUMINUM SURFACE MOUNTED BASE:

-W: 12" X L: 12"

NOTES:

1. INSTALLATION TO BE COMPLETED IN ACCORDANCE WITH MANUFACTURER'S SPECIFICATIONS.
2. DO NOT SCALE DRAWING.
3. THIS DRAWING IS INTENDED FOR USE BY ARCHITECTS, ENGINEERS, CONTRACTORS, CONSULTANTS AND DESIGN PROFESSIONALS FOR PLANNING PURPOSES ONLY. THIS DRAWING MAY NOT BE USED FOR CONSTRUCTION.
4. ALL INFORMATION CONTAINED HEREIN WAS CURRENT AT THE TIME OF DEVELOPMENT BUT MUST BE REVIEWED AND APPROVED BY THE PRODUCT MANUFACTURER TO BE CONSIDERED ACCURATE.
5. CONTRACTOR'S NOTE: FOR PRODUCT AND COMPANY INFORMATION VISIT www.CADdetails.com/info AND ENTER REFERENCE NUMBER 5017-203.



NATURAL DOG PARK - PET WASTE STATION

GYMS FOR DOGS™ - THE PET WASTE STATION™ ALUMINUM - EXCLUSIVE SIGNATURE DECORATIVE PET WASTE STATION, SURFACE MOUNT (SM)