

LIVIN THE DOG LIFE™

DOG PARK PRODUCTS & DESIGNS

LIVIN THE DOG LIFE™
 3815 RIVER CROSSING PKWY SUITE 100
 INDIANAPOLIS, IN 46240
 PHONE: (800) 931-1562
 FAX: (800) 931-6152
 www.livinthedoglife.com

SELECT DESIRED COLOR:

- BLACK
- NUTMEG BROWN
- CORN YELLOW
- GRASS GREEN
- WATER BLUW
- CARDINAL RED

SELECT DESIRED MOUNT:

- IN-GROUND (IG) (SHOWN)
- SURFACE MOUNT (SM)
- PORTABLE / FREESTANDING (FS)

STANDARD FEATURES:

- MADE IN U.S.A
- ALUMINUM ALL-WEATHER MATERIAL
- ADA COMPATIBLE
- HEAVY-DUTY ONE PIECE MOUNTING POST
- CAN BE CUSTOMIZED WITH YOUR BRAND OR SPECIAL LOGO
- PROPRIETARY FLAT SURFACE FOR STORAGE: LEASH, KEYS, CELL PHONES
- 600 BAG CAPACITY MEANS LESS REFILL TIME

PRODUCT DIMENSIONS:

DIMENSIONS:
 72" H X 15" W X 69" L

RECOMMENDED SPECIFICATIONS:

ITEM:

-DL-PWS100-PCIG

COMPONENTS:

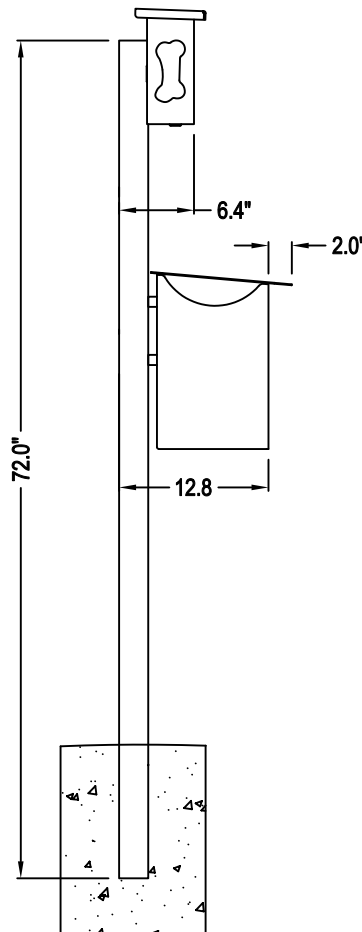
- DL-PNSBAG-TPC (BOX)
- DL-PWSIGP (POST - IG)

MATERIALS:

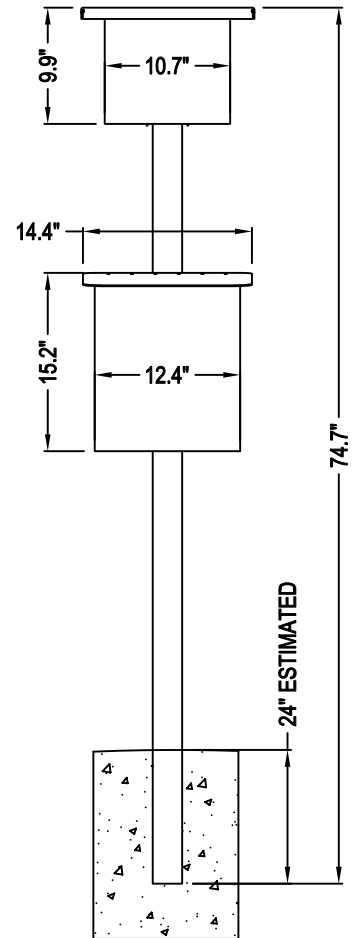
- POWDER COATED ALUMINUM BAG DISPENSER BOX
- POWDER COATED ALUMINUM POST DESIGNED FOR BURIAL

NOTES:

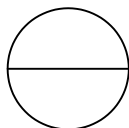
1. INSTALLATION TO BE COMPLETED IN ACCORDANCE WITH MANUFACTURER'S SPECIFICATIONS.
2. DO NOT SCALE DRAWING.
3. THIS DRAWING IS INTENDED FOR USE BY ARCHITECTS, ENGINEERS, CONTRACTORS, CONSULTANTS AND DESIGN PROFESSIONALS FOR PLANNING PURPOSES ONLY. THIS DRAWING MAY NOT BE USED FOR CONSTRUCTION.
4. ALL INFORMATION CONTAINED HEREIN WAS CURRENT AT THE TIME OF DEVELOPMENT BUT MUST BE REVIEWED AND APPROVED BY THE PRODUCT MANUFACTURER TO BE CONSIDERED ACCURATE.
5. CONTRACTOR'S NOTE: FOR PRODUCT AND COMPANY INFORMATION VISIT www.CADdetails.com/info AND ENTER REFERENCE NUMBER 5017-066.



SIDE ELEVATION



FRONT ELEVATION



NATURAL DOG PARK - PET WASTE STATION

GYMS FOR DOGS™ - THE PET WASTE STATION™ ALUMINIUM - EXCLUSIVE SIGNATURE DECORATIVE PET WASTE STATION W STARTER KIT OF 400 BAGS (BLACK OR GREEN)